

COMMERCIAL



RESIDENTIAL



**arcadia**  
ARCHITECTURAL  
PRODUCTS

# PRODUCT OFFERINGS

**Introduction** . . . . . **Pages 3-4**

**500 Series Window** . . . . . **Pages 5-10**

A high performance horizontal sliding glass window tested to HC, CW and hurricane impact requirements. Low air and water infiltration, as well as high structural performance define this product. Ideal for residential, luxury, and commercial applications.

**T200E/T325E Series Window** . . . . . **Pages 11-16**

A high performance awning, hopper and casement hinged window tested to HC and hurricane impact requirements. Low air and water infiltration as well as high structural performance define this product. Ideal for residential, luxury and commercial applications.

**5000 Series Door** . . . . . **Pages 17-24**

A high performance horizontal sliding glass patio door tested to HC, CW and hurricane impact requirements. Low air and water infiltration as well as high structural performance define this product. Ideal for residential, luxury and commercial applications.

**5820/5920 Series Door** . . . . . **Pages 25-30**

A high performance horizontal sliding glass multi-panel patio door system. Multiple configurations comprising of fixed and sliding panels can be made. Ideal for residential, luxury and commercial applications.

**5500 Series Door** . . . . . **Pages 31-34**

A high performance structural horizontal sliding glass patio door tested to HC and hurricane impact requirements where tall and wide panels are required. Low air and water infiltration can be supplied with panels up to 11 ft. tall and is ideal for residential, luxury and commercial applications.

**5520 Series Door** . . . . . **Pages 35-42**

A high performance structural horizontal sliding glass "multi-slider" patio door tested to HC and hurricane impact requirements. Unlimited configurations comprising of multiple panels can be fabricated. Low air and water infiltration can be supplied with panels up to 11 ft. tall and is ideal for residential, luxury and commercial applications.

**8250E Series Door** . . . . . **Pages 43-48**

A high performance hinged terrace swing door tested to HC, AW and hurricane impact performance requirements. Low air and water infiltration can be supplied with single panels, double panels (French door style), fixed side lites and overhead transoms. Ideal for residential, luxury and commercial applications.

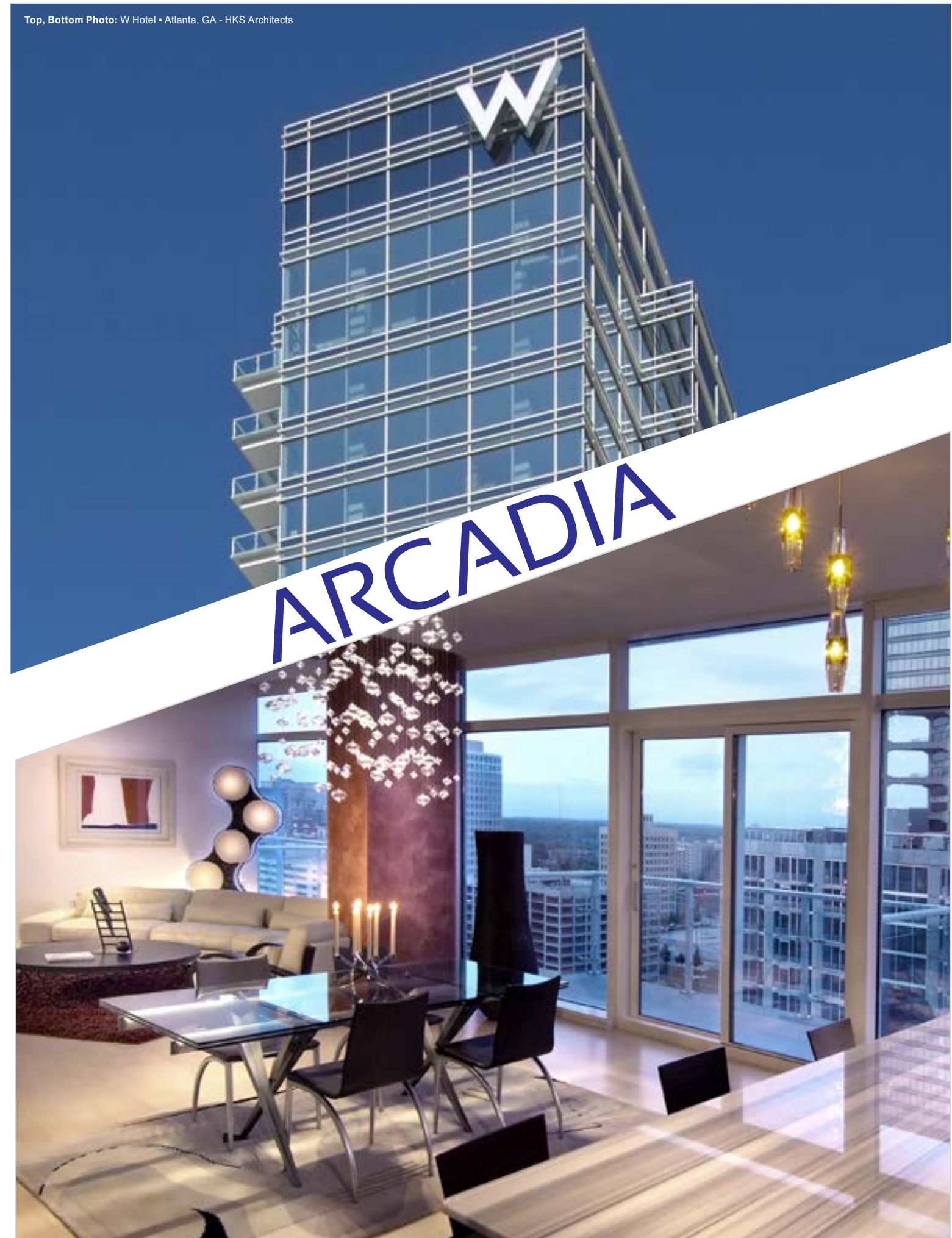
**TC470 Series Window Wall System** . . . . . **Pages 49-52**

A high performance fixed "slab to slab" window wall system tested to HC and hurricane impact performance requirements. Low air and water infiltration as well as high structural performance define this product. Ideal as a continuous fixed wall system with optional inserts for operable windows and doors.

**Hardware Options - Locks & Handles** . . . . . **Pages 53-54**

**Cover:** Top Photo: Four Seasons Resort • Orlando, FL - HKS Architects      Lower Photo: Bridgehampton, NY - Bates-Masi Architects

Top, Bottom Photo: W Hotel • Atlanta, GA - HKS Architects



# ARCADIA

IF YOU CAN THINK IT  
WE CAN MAKE IT

ARCADIA IS A NATIONALLY RECOGNIZED PREMIER MANUFACTURER OF ALUMINUM ENTRANCE AND FENESTRATION PRODUCTS INCLUDING BUT NOT LIMITED TO STORE FRONT ENTRANCE SYSTEMS, ALUMINUM ENTRY DOORS, CURTAIN WALL, WINDOW WALL AND RIBBON WALL SYSTEMS, SLIDING WINDOWS AND DOORS, BI-FOLD DOORS, HINGED SWING TERRACE DOORS, HINGED CASEMENT, AWNING AND HOPPER WINDOWS, AND INTRODUCING OUR NEW LINE OF STEEL WINDOWS.

IN THIS BROCHURE, YOU WILL FIND THE PRODUCT OFFERINGS FROM OUR "ARCHITECTURAL PRODUCTS DIVISION" WHICH INCLUDE ALUMINUM SLIDING GLASS WINDOWS AND DOORS, HINGED SWING TERRACE DOORS, HINGED CASEMENT, AWNING AND HOPPER WINDOWS, AND OUR WINDOW WALL SYSTEM.

WE SPECIALIZE IN PROVIDING BOTH STANDARD AND CUSTOMIZED ENGINEERED SOLUTIONS FOR ALL YOUR ARCHITECTURAL ALUMINUM FENESTRATION AND ENTRANCE SYSTEM NEEDS. OUR MOTTO OF "IF YOU CAN THINK IT, WE CAN MAKE IT" COULDN'T BE MORE TRUE. OUR PRODUCTS CAN BE MADE TO ANY SIZE THAT IS REQUIRED AND WE OFFER OUR PRODUCTS IN A VARIETY OF STANDARD AND CUSTOM FINISHES.

YOU WILL FIND OUR PRODUCTS IN THE FINEST CONTEMPORARY AND TRADITIONAL RESIDENTIAL HOMES, LUXURY CONDOMINIUM CO-OPS AND RENTAL APARTMENT BUILDINGS, THE FINEST HOTELS AND RESORTS, SPORTS VENUES, RESTAURANTS, SOUND AND CINEMA STUDIOS THROUGHOUT THE USA.

## THERMAL BREAK TECHNOLOGY

All our products employ Thermal Break technology for optimal energy savings and sound performance. The main function of a thermal break system is to separate an aluminum profile into two parts to reduce thermal conductivity throughout the product. The two ways of doing this are by using (1) poured polyurethane (pour and de-bridge) or (2) polyamide insulating strips (thermal struts).

### POUR AND DE-BRIDGE METHOD

The first method is referred to as pour and de-bridge. This method allows for an aluminum extrusion profile designed and extruded with a strategically placed channel to accept and encapsulate the insulating polymer (a liquid polyurethane polymer resin that is poured into the pocket and hardens almost immediately) The underside of the cavity is then "de-bridged" or saw cut about 18" to 316" wide along the length of the extrusion to separate both sides of the aluminum. This causes both sides of the aluminum extrusion to be separated by a non-conductive material and thus prevent thermal conductivity from one side of the extrusion to the other.

### THERMAL STRUT METHOD

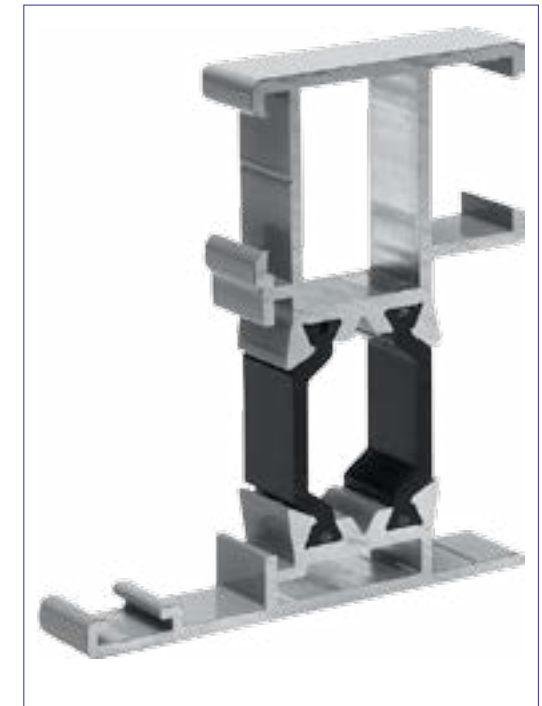
The second method uses polyamide insulating strips to separate and secure the interior and exterior sections of an aluminum profile extrusions. Thermal strut involves two separate extrusions joined together through the use of engineered structural plastic struts. Both the inside and outside aluminum profiles are extruded independently with a cavity that will ultimately receive the strut.



Pour and De-Bridge Method

For additional information on this process, please refer to the image above and visit:

Azon International at: [www.azonintl.com](http://www.azonintl.com)



Thermal Strut Method

For additional information on this process, refer to the image above and visit:

TechnoForm USA at: [www.technoform-bautec.com](http://www.technoform-bautec.com)

THERMAL BREAK

# 500 SERIES

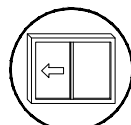
## 500 SERIES THERMAL-IMPACT (OPTIONAL) SLIDING WINDOW



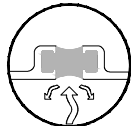
MULTIPLE CONFIGURATIONS AVAILABLE

VISIT OUR WEBSITE AT: [WWW.ARCADIAINC.COM](http://WWW.ARCADIAINC.COM) FOR THE FOLLOWING:

Product Specifications (PDF) • Elevations & Plan Details (PDF & DWG) • Product Warranty Information (PDF)  
Maintenance & Cleaning Guidelines (PDF) • Product Installation Manuals (PDF)



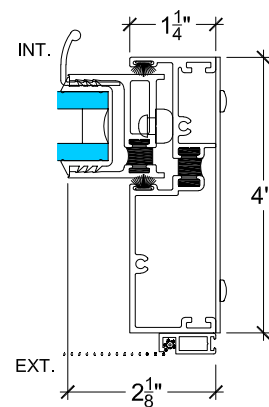
Slider



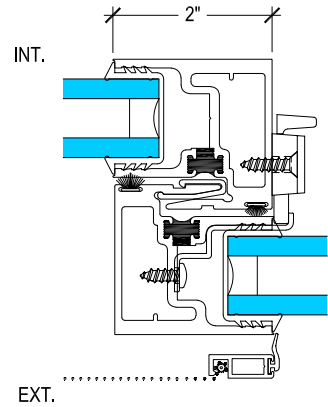
Thermal



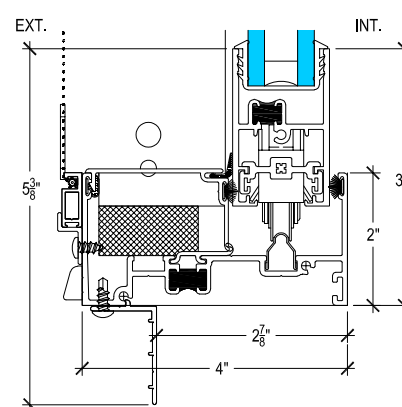
Impact



LATCH JAMB



INTERLOCKER



SILL

## 500 SERIES FEATURES AND OPTIONS

- Tested performances as CW, HC, and AW rated product
- Low air & water infiltration performance full thermal frame and panel construction
- Multiple sills with varying back legs available - 2", 2 1/2", 3" for different water infiltration performances
- Configured as inside slider (with exterior mounted fixed screen) - 4" depth frame
- Marine grade - non corrosive stainless steel track for optimum EZ gliding performance
- All stainless steel marine grade tandem rollers for EZ glide operation
- Exterior fixed screen - optional
- Customized sub sill, head & 2-piece Jamb receptors available
- Flush flange perimeter framing available
- Applied nail on fin framing available
- Strap anchors available
- Fixed overhead transoms available (also can be mounted below window)
- Standard deco color matched sweep lock with stainless steel strike integrated into glazing pocket of fixed panel (bronze craft premium burnished sweep lock optional)
- All dry glazed with marine EPDM or PVC wrap around gaskets to accommodate 1/4, 1/2, (monolithic) 5/8", 1", 1 1/6" 1 1/8" (IG) glass
- High load interlockers & meeting stiles available for high wind load & structural performance
- See our hardware section for optional hardware options & upgrades
- Stock finishes: dark bronze or satin clear anodized class 1 or Duracron paint white or quaker bronze - standard
- Any Duranar or Valspar finish or other anodized finish - optional
- **Can be made to meet impact rated hurricane codes - optional**



Luxury Suite at NFL Gillette Stadium, Foxborough, MA – HOK Architects

# FEATURES

# 500 SERIES HARDWARE AND OPTIONS



Flush Flange Framing – Optional



Flush Flange Framing – Optional



Nail Fin Framing – Optional



Nail Fin Framing – Optional



Extruded Sub Sill



Sill Track Options  
(2", 2 1/2", 3" Sills - Left to Right)

# 500 SERIES HARDWARE AND OPTIONS



Fixed Exterior Screen



ADA Lever Handle with Adams Rite SS Mortise Lock



Extruded Handle



Extruded Handle



Deco Sweep Lock  
(Black, White, Silver)



Bronzecraft – Optional  
Burnished Bronze Sweep Lock



Stainless Steel Rollers

HARDWARE

HARDWARE

Sagaponack, NY – Selldorf Architects



The Colony Luxury Condominiums - Fort Lee, NJ



The Plaza Luxury Condominiums – Fort Lee, NJ



The Plaza Luxury Condominiums – Fort Lee, NJ



## T-200E/T-325E SERIES THERMAL-IMPACT CASEMENT, AWNING, HOPPER (OPTIONAL) (AVAILABLE AS FIXED, IN SWING OR OUT SWING)



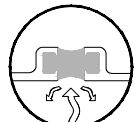
MULTIPLE CONFIGURATIONS AVAILABLE

VISIT OUR WEBSITE AT: [WWW.ARCADIAINC.COM](http://WWW.ARCADIAINC.COM) FOR THE FOLLOWING:

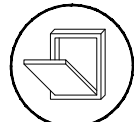
Product Specifications (PDF) • Elevations & Plan Details (PDF & DWG) • Product Warranty Information (PDF) • Maintenance & Cleaning Guidelines (PDF) • Product Installation Manuals (PDF)



Awning



Thermal



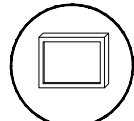
Hopper



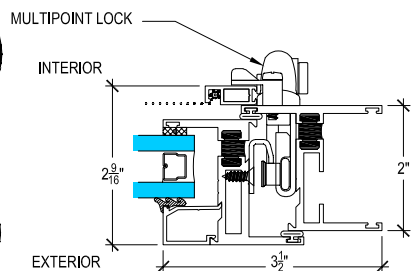
Impact



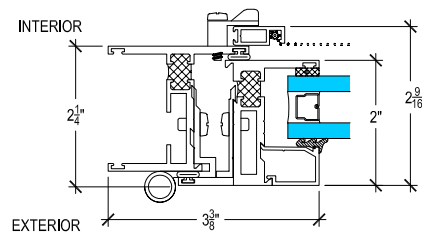
Casement



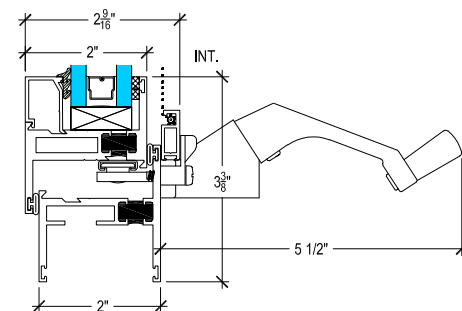
Fixed



LATCH JAMB



HINGED JAMB



SILL

## T-200/T-325 SERIES FEATURES AND OPTIONS

- T200E is a 2" deep frame system
- T325E is a 3 1/4" deep frame system
- Tested performances as HC rated product
- Low air & water infiltration performance - full thermal frame and panel construction
- Long equal leg, short leg, unequal leg & nail fin framing available - 2" depth framing
- Long equal leg framing available - 3 1/4" depth framing
- Can be configured as an awning (project out), hopper (project in), casement (both project in/out) and fixed picture window
- Casement configuration available standard with color matched custom butt hinges
- Project out awnings & project in hoppers available standard with stainless steel 4-bar hinges
- Fixed screen with clip on mounting brackets are available
- Fixed transoms as well as sidelights available to mate with operable windows
- Roto gear operator with fixed arm available on all casements and awnings - optional
- Casement locks and Cam operating handle locks standard
- Multi point locking hardware for casement window - optional
- Casement locks for awning window mounted on both sides of the frame - optional
- Hopper windows come standard with cam handles
- Can be glazed with interior or exterior stops to accommodate 1" IG Glass
- Stock finishes: dark bronze or satin clear anodized class 1 or Duracron paint white - standard
- Any Duranar or Valspar finish or other anodized finish - optional
- **Can be made to meet impact rated hurricane codes - optional**



## T-200E/T-325E SERIES HARDWARE AND OPTIONS



Casement w/ Roto Gear Handle and Casement Lock



Casement w/ Roto Gear Handle and Multi Point Lock



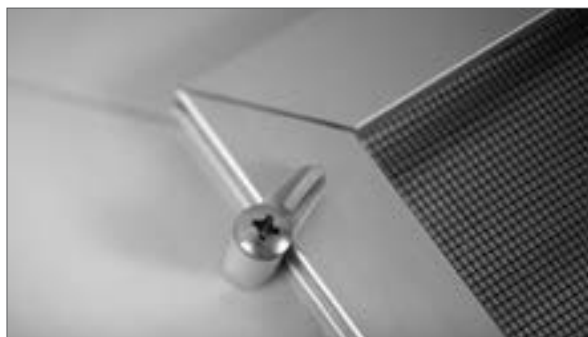
Hopper (Project-in) In Open Position with Cam Handle



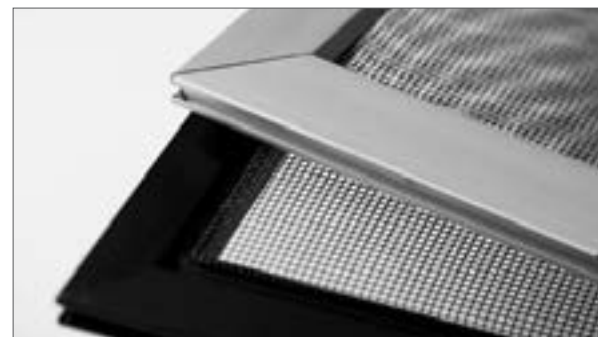
Awning (Project Out) with Pivot Shoe Roto Operator and Casement Lock



Hopper (Project-in) In Closed Position with Cam Handle



Fixed Window Screen Mounting Clips



Optional Fixed Window Screen



Contour Roto Operator by Truth Hardware- Optional

## T-200E/T-325E SERIES HARDWARE AND OPTIONS



New Style (3) Butt Hinge



Old Style (5) Butt Hinge



4 Bar Stainless Steel Hinge



Pivot Shoe Roto Operator (Awning)



Left or Right Handed Roto Operator (Casement)



Long Equal Leg Frame



Short Equal Leg Frame



Nail Fin Frame



Multi Point Lock Handle - Optional



Casement Handle Lock



Cam Handle





Sag Harbor, NY – Blaze Macoid Architects



Sag Harbor, NY – Blaze Macoid Architects



Southampton, NY, Stelle, Lomont - Rouhani Architects



Hamptons, NY, Stelle, Lomont - Rouhani Architects

## 5000 SERIES THERMAL-IMPACT (OPTIONAL) SLIDING GLASS DOOR

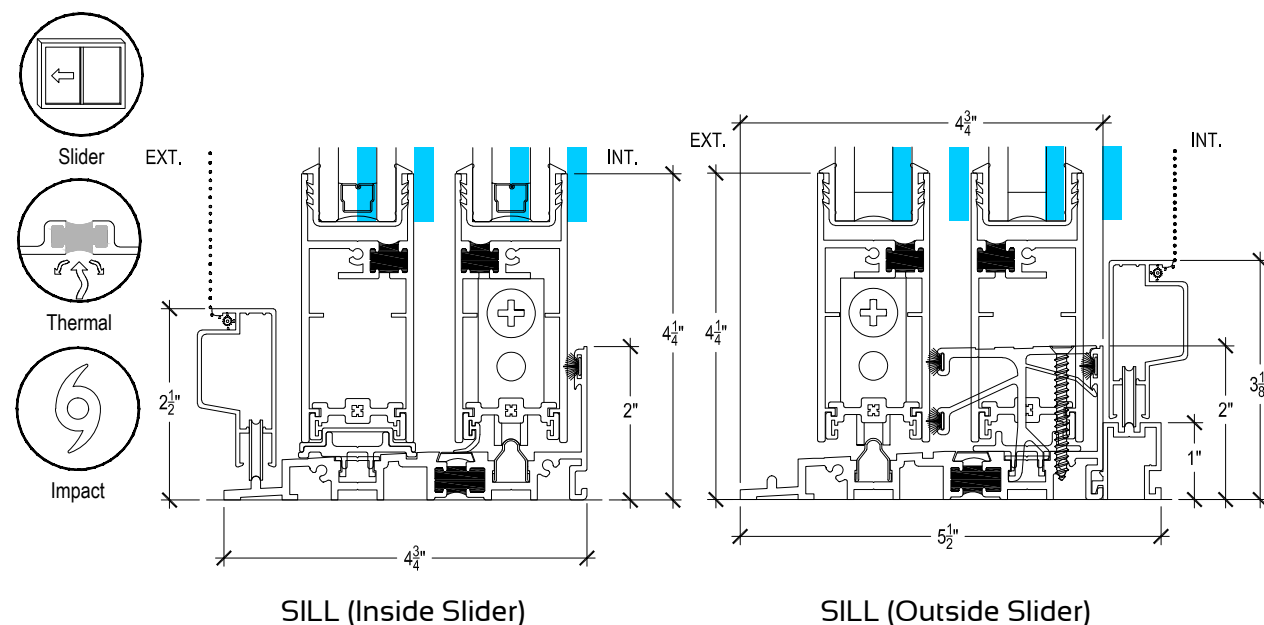


Four Seasons Resort, Orlando, FL – HKS Architects

MULTIPLE CONFIGURATIONS AVAILABLE

VISIT OUR WEBSITE AT: [WWW.ARCADIAINC.COM](http://WWW.ARCADIAINC.COM) FOR THE FOLLOWING:

Product Specifications (PDF) • Elevations & Plan Details (PDF & DWG) • Product Warranty Information (PDF) • Maintenance & Cleaning Guidelines (PDF) • Product Installation Manuals (PDF)



## 5000 SERIES FEATURES AND OPTIONS

- Tested performances as an HC and AW rated product
- Low air & water infiltration performance - full thermal frame and panel construction
- Multiple sill track options with various back leg heights available - 5/8" flush, 1 1/8", 2", 2 3/8", 3" & 4" for different water infiltration performances
- Can be configured as either an inside or outside slider (operating panel can be on the interior or exterior track)
- Marine grade non corrosive stainless steel track for optimum EZ gliding performance
- 3 different sizes of Arcadia EZ Glide precision bearing - marine grade all stainless steel tandem rollers with available roller wheel diameter sizes of 1 1/2", 1 1/8" & 3" for varying load capacity panels
- Head and 2-pc Jamb receptors - optional
- Extruded 0.100" aluminum sub sills available (L - shape or Z - shape) - optional
- Flush flange perimeter framing available - optional
- Applied nail on fin framing available - optional
- Fixed overhead transoms available - optional
- Adams Rite MS-1850 steel mortise lock with stainless steel hook - standard
- Marine grade 100% all stainless steel Adams Rite MS-1950 mortise lock - optional
- Interior/Exterior aluminum extruded wire pull handles in clear or black anodized - standard (other finishes and styles available upon request)
- Interior brass thumb turn - standard. Exterior brass keyed cylinder - optional
- Adams Rite MS-1847 stainless steel mortise lock with optional turn lever escutcheon - optional
- Adams Rite flush pull either locking (to operate MS-1847) or dummy (single or int/ext set) - optional
- Futura flush interior/exterior aluminum handles (satin or black anodized) - optional
- Futura flush interior/exterior stainless steel handles - optional
- Futura flush stainless steel interior thumb turn - optional
- Stainless steel strike plate - optional
- All dry glazed with marine EPDM or PVC wrap around gaskets to accommodate 1/4", 1/2", (monolithic) 5/8", 1", 1 1/8" 1 1/4" (IG) glass
- Available with a high STC rating for sound control
- Heavy duty interior or exterior mounted screen with all stainless & non corrosive components
- Hi load interlockers & meeting stiles available for high wind load & structural performance
- Stock finishes - dark bronze or satin clear anodized - class 1 or Duracron paint - white or quaker bronze - standard
- Any Duranar or Valspar finish or other anodized finish - optional
- **Can be made to meet impact rated hurricane codes - optional**

# 5000 SERIES

## 5000 SERIES HARDWARE AND OPTIONS



(Left to Right) Sill Track Options with Varying Backleg Heights  
3/4" Flush, 1 1/8", 2", 2 3/8", 3", 4" (Not Shown)



Hi Load Interlocker



D 250 Door Insect Screen



L Track Extruded Sub Sill (5")



D 250 Door Insect Screen



L Track Extruded Sub Sill (7")



Nail Fin Framing - Optional



Flush Flange Framing - Optional



Z Track Extruded Sub Sill



The Tower Condominiums, Fort Worth, TX



Wilton Pool House, zzz Wilton, CT - Hariri and Hariri Architects



Watermill, NY, Stelle, Lomont, - Rouhani Architects



Bridgehampton, NY - Stelle - Lomont - Rouhani Architects



Hamptons, NY, Stelle, Lomont - Rouhani Architects



Hamptons, NY - Stelle - Lomont - Rouhani Architects



Watermill, NY, Stelle, Lemont - Rouhani Architects



Sagaponack, NY - Selldorf Architects

# 5820/5920 SERIES

## 5820/5920 SERIES MULTI-PANEL / POCKET WALL-SLIDING PATIO DOOR SYSTEM

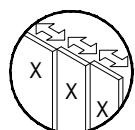


Montauk, NY – Bates Masi Architects

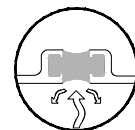
MULTIPLE CONFIGURATIONS AVAILABLE

VISIT OUR WEBSITE AT: [WWW.ARCADIAINC.COM](http://WWW.ARCADIAINC.COM) FOR THE FOLLOWING:

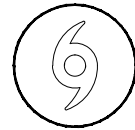
Product Specifications (PDF) • Elevations & Plan Details (PDF & DWG) • Product Warranty Information (PDF) • Maintenance & Cleaning Guidelines (PDF) • Product Installation Manuals (PDF)



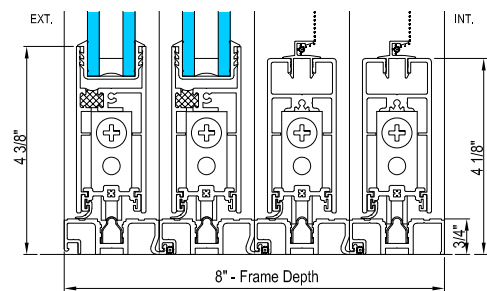
Multi Panel



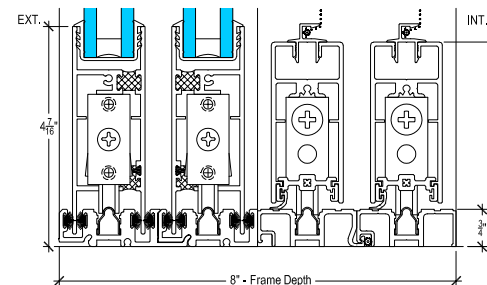
Thermal



Impact



**Ser 5820**  
3/4" Flush Sill  
(1/2" Flush Sill - Optional)  
(2" Backleg Sill - Optional)



**Ser 5920**  
3/4" Flush Sill  
(2" Backleg Sill - Optional)

## 5820/5920 SERIES FEATURES AND OPTIONS

- 5820 series available with 1/2" or 3/4" high flush sill best suited for interior use for a clean and refined look
- 5920 series with 3/4" flush sill best suited for exterior use
- 2" backleg sill available for 5820 / 5920 series - optional
- Various extruded subsills available for added water protection
- Multiple 2" depth frames can be attached to each other for an endless combination of configurations
- Concealed recessed sill tracks available - optional
- Integrated weep holes at sill available for improved water performance - optional
- Can be configured as a pocket, wall or multi panel slider door with almost any configuration imaginable. Can also be configured as a 90 degree corner door or any other custom degree angular door
- Can be configured with interior or exterior insect screen panel doors
- Marine grade non-corrosive stainless steel track for optimum EZ gliding performance
- 3 different sizes of Arcadia EZ Glide precision bearing - marine grade all stainless steel tandem rollers with available roller wheel diameter sizes of 1 1/2", 1 13/16" & 3" for varying load capacity panels
- Extruded 0.100" aluminum subsills available (L-shape or Z-shape)
- Marine grade 100% all stainless steel Adams Rite MS-1950 mortise lock - optional
- Adams Rite MS-1850 steel mortise lock with stainless steel hook - standard
- Interior/exterior aluminum extruded wire pull handles in clear or black anodized - standard (other finishes and styles available upon request)
- Interior brass thumb turn - standard. Exterior brass keyed cylinder - optional
- Adams Rite MS-1847 stainless steel mortise lock with optional turn lever escutcheon - optional
- Adams Rite flush pull either locking (to operate MS-1847) or dummy (single or int/ext set) - optional
- Futura flush interior/exterior aluminum handles (satin or black anodized) - optional
- Futura flush interior/exterior stainless steel handles - optional
- Futura flush stainless steel interior thumb turn - optional
- Stainless steel strike plate - optional
- All dry glazed with marine EPDM or PVC wrap around gaskets to accommodate 1/4", 1/2", (monolithic) 5/8", 1", 1 1/16", 1 1/8" (IG) glass
- Hi load interlockers & meeting stiles available for high wind load & structural performance
- Hi load vertical mullions available for mulling fixed panels together on the same track
- Stock finishes - dark bronze or satin clear anodized - class 1 or white Duracron paint - standard
- Any Duranar or Valspar finish or other anodized finish - optional

# FEATURES

# 5820/5920 SERIES

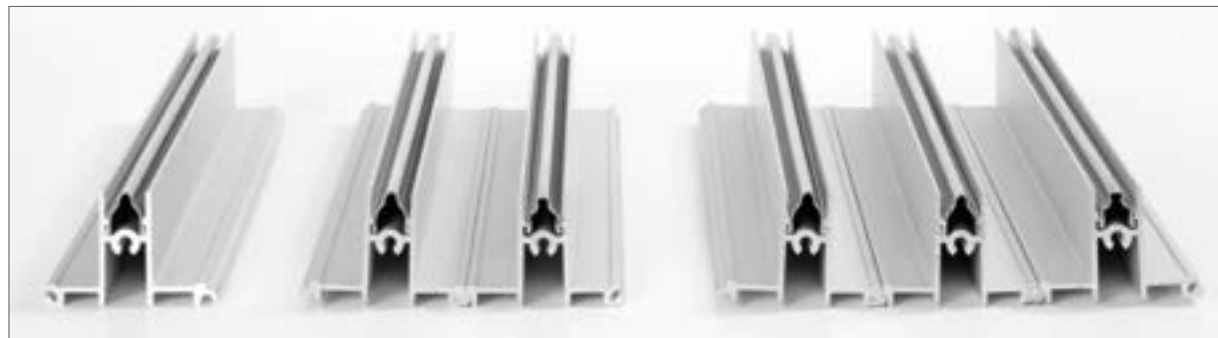
## 5820 SERIES HARDWARE AND OPTIONS



5820 Series - Flush Sill 3/4" - Standard  
5820 Series - Flush Sill 1/2" - Optional  
Optional 2" Backleg (Not Shown)



5920 Series Flush Sill  
Optional 2" Backleg



Concealed Recessed Sill Tracks (Single, Double, Triple, etc)



Recessed Finger - Edge Pull



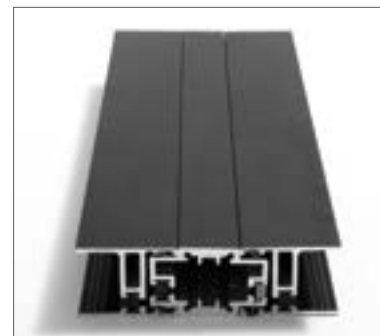
Series 5820  
Operable Insect Screen Panels



Series 5820  
Operable Insect Screen Panels



Series 5820 Fix Panel Mulling Members



Series 5820 Fix Panel Mulling Members



L Track Extruded Sub Sill (7")



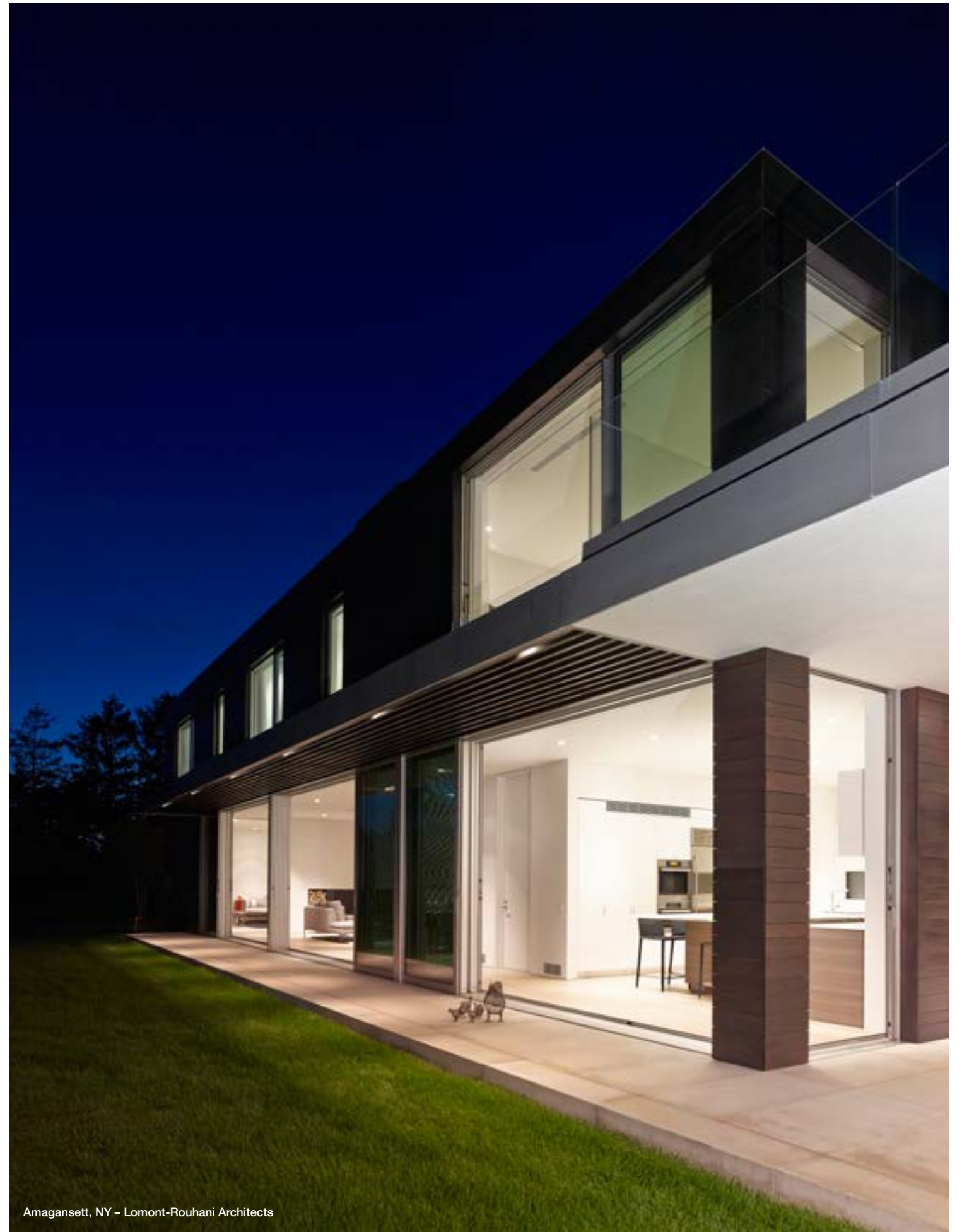
Amagansett, NY - Levenbetts Architecture



Palm Desert, CA - Martin Kobus Architects



Sag Harbor, NY – Blaze Macoid Architects



Amagansett, NY – Lomont-Rouhani Architects



# 5500 SERIES

## 5500 SERIES HIGH PERFORMANCE/IMPACT THERMAL SLIDING GLASS PATIO DOOR

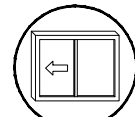


Watermill, NY - Stelle- Lomont-Rouhani Architects

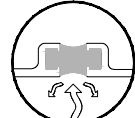
MULTIPLE CONFIGURATIONS AVAILABLE

VISIT OUR WEBSITE AT: [WWW.ARCADIAINC.COM](http://WWW.ARCADIAINC.COM) FOR THE FOLLOWING:

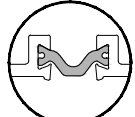
Product Specifications (PDF) • Elevations & Plan Details (PDF & DWG) • Product Warranty Information (PDF) • Maintenance & Cleaning Guidelines (PDF) • Product Installation Manuals (PDF)



Slider



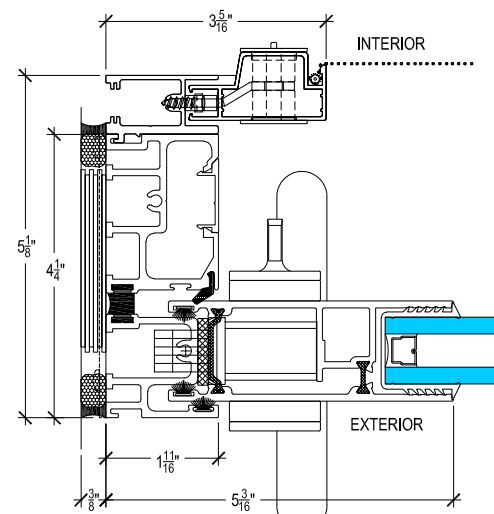
Thermal



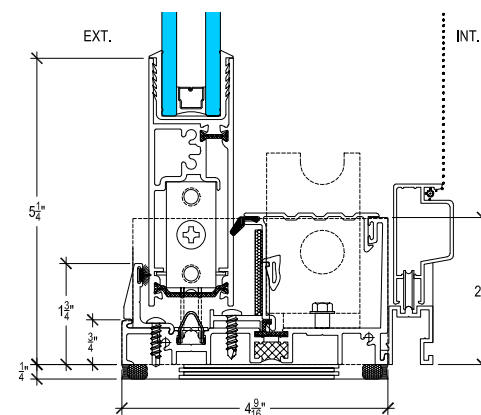
Thermal Door Strut



Impact



LOCK JAMB



SILL

## 5500 SERIES FEATURES AND OPTIONS

- Impact tested to ASTM 1886/1996 - large missile hurricane - 70 DP design load impact/ cycling at 10 ft high panels - higher panels available based on wind load project parameters
- 4 1/2" depth frame expandable to 5 1/4" depth with interior screen track - 2 track system
- 2 1/2" back leg sill - standard tested to 12 psf water infiltration in the lab
- Can be configured as a 2,3,4,5,6 panel door riding on two (2) tracks with the operable panels on the exterior track
- Interior / Exterior insect screen track & panels available - optional
- Head and 2-pc Jamb receptors - optional
- Horizontal muntins for true divided lites - optional
- Marine grade - non corrosive stainless steel track for optimum EZ gliding performance
- 2 different sizes of Arcadia EZ Glide precision bearing - marine grade all stainless steel tandem rollers with available roller wheel diameter sizes of 1 13/16" & 3" for varying load capacity panels
- Extruded 0.100" aluminum sub sills available (L-shape or Z-shape)
- Marine grade 100% all stainless steel Adams Rite MS-1950 mortise lock - optional
- Adams Rite MS-1850 steel mortise lock with stainless steel hook - standard
- Interior/exterior aluminum extruded wire pull handles in clear or black anodized - standard (other finishes and styles available upon request)
- Interior brass thumb turn - standard. Exterior brass keyed cylinder - optional
- Adams Rite MS-1847 stainless steel mortise lock with optional turn lever escutcheon - optional
- Adams Rite flush pull either locking (to operate MS-1847) or dummy (single or int/ext set) - optional
- Futura flush interior/exterior aluminum handles (satin or black anodized) - optional
- Futura flush interior/exterior stainless steel handles - optional
- Futura flush stainless steel interior thumb turn - optional
- Stainless steel strike plate - optional
- All dry glazed with marine EPDM or PVC wrap around gaskets to accommodate 1", 1 1/16", 1 1/8" (IG) impact glass
- Hi load interlockers & meeting stiles available for high wind load & structural performance
- Stock finishes dark bronze or satin clear anodized z class I or white Duracron paint - standard
- Any Duranar or Valspar finish or other anodized finish - optional



Sagaponack, NY, Sawyer - Berson Architects

# 5500 SERIES

## 5500 SERIES HARDWARE AND OPTIONS



Series 5500 Sill 2 1/2" Backleg  
Interior Screen Track (Exterior View - Left)



Series 5500 Sill 2 1/2" Backleg  
Interior Screen Track (Exterior View - Right)



L Track Extruded Sub Sill (7")



D 250 Door Insect Screen



Z Track Extruded Subsill



D 250 Door Insect Screen



Penthouse at The Colony Luxury Condominiums, Fort Lee, NJ – Michael Garenstein Architects



Penthouse at The Colony Luxury Condominiums, Fort Lee, NJ – Michael Garenstein Architects

# 5520 SERIES

## 5520 SERIES HIGH PERFORMANCE/IMPACT MULTI-PANEL POCKET / WALL / SLIDING GLASS PATIO DOOR

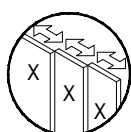


Beverly Hills, CA - Maxx London Design & Development

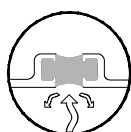
MULTIPLE CONFIGURATIONS AVAILABLE

VISIT OUR WEBSITE AT: [WWW.ARCADIAINC.COM](http://WWW.ARCADIAINC.COM) FOR THE FOLLOWING:

Product Specifications (PDF) • Elevations & Plan Details (PDF & DWG) • Product Warranty Information (PDF) • Maintenance & Cleaning Guidelines (PDF) • Product Installation Manuals (PDF)



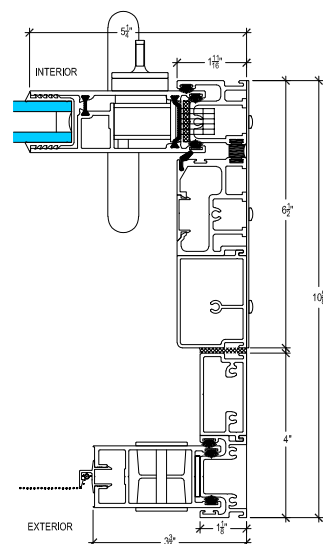
Multi-Panel



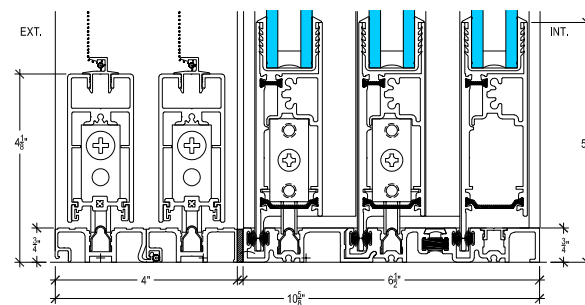
Thermal



Impact



LATCH JAMB



SILL

## 5520 SERIES FEATURES AND OPTIONS

- Impact tested to ASTM 1886/1996 large missile hurricane 70 DP design load
- Multiple 2 ¼" depth frames can be attached to each other for an endless combination of configurations
- Flush (½" high) sill standard - optional 2 ¼" back leg sill available for added water penetration performance
- Can be configured as a pocket, wall or multi panel slider door with almost any configuration imaginable. Can also be configured as a 90 degree corner door or any other custom degree angular door
- Can be configured with interior or exterior insect screen panel doors
- Marine grade non corrosive stainless steel track for optimum EZ gliding performance
- 3 different sizes of Arcadia EZ Glide precision bearing - marine grade all stainless steel tandem rollers with available roller wheel diameter sizes of 1 ½", 1 ⅞" & 3" for varying load capacity panels
- Extruded 0.100" aluminum sub sills available (L-shape or Z-shape)
- Marine grade - 100% all stainless steel Adams Rite MS-1950 mortise lock - optional
- Adams Rite MS-1850 steel mortise lock with stainless steel hook - standard
- Interior/exterior aluminum extruded wire pull handles in clear or black anodized - standard (other finishes and styles available upon request)
- Interior brass thumb turn - standard. Exterior brass keyed cylinder - optional
- Adams Rite MS-1847 stainless steel mortise lock with optional turn lever escutcheon - optional
- Adams Rite flush pull either locking (to operate MS-1847) or dummy (single or int/ext set) - optional
- Futura flush interior/exterior aluminum handles (satin or black anodized) - optional
- Futura flush interior/exterior stainless steel handles - optional
- Futura flush stainless steel interior thumb turn - optional
- Stainless steel strike plate - optional
- All dry glazed with marine EPDM or PVC wrap around gaskets to accommodate ¼", ½", (monolithic ⅝", 1", 1 ⅞" 1 ⅛" (IG) glass
- Hi load interlockers & meeting stiles available for high wind load & structural performance
- Installation videos available on [YouTube](https://www.youtube.com) search under "Arcadia Door"
- Stock finishes - dark bronze or satin clear anodized - class 1 or white Duracron paint - standard
- Any Duranar or Valspar finish or other anodized finish - optional

# 5520 SERIES

## 5520 SERIES HARDWARE AND OPTIONS



Flush Sill with 2 1/4" Backleg  
(2 & 3 Track Option Shown)



Flush Sill  
(2 & 3 Track Option Shown)



Recessed Finger – Edge Pull



Series 5820  
Operable Insect Screen Panels



Series 5820  
Operable Insect Screen Panels



L Track Extruded Sub Sill (7")



The Hyatt Andaz Luxury Resort, Wailea at Maui, Hawaii – Rockwell Group Architects



Beverly Hills, CA - Maxx London Design & Development



The Hyatt Andaz Luxury Resort, Wailea at Maui, Hawaii – Rockwell Group Architects



World of Beer - At Harbor Point Plaza - Stamford, CT



The Hyatt Andaz Luxury Resort, Wailea at Maui, Hawaii – Rockwell Group Architects



World of Beer - At Harbor Point Plaza - Stamford, CT



The Hyatt Andaz Luxury Resort, Wailea at Maui, Hawaii – Rockwell Group Architects

# 8250E SERIES

## 8250E SERIES HIGH PERFORMANCE/IMPACT HINGED TERRACE/GARDEN SWING DOOR

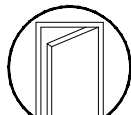


Penthouse at the Colony Luxury Condominiums, Shelter Island, NY – Lomont-Rouhani Architects

MULTIPLE CONFIGURATIONS AVAILABLE

VISIT OUR WEBSITE AT: [WWW.ARCADIAINC.COM](http://WWW.ARCADIAINC.COM) FOR THE FOLLOWING:

Product Specifications (PDF) • Elevations & Plan Details (PDF & DWG) • Product Warranty Information (PDF) • Maintenance & Cleaning Guidelines (PDF) • Product Installation Manuals (PDF)



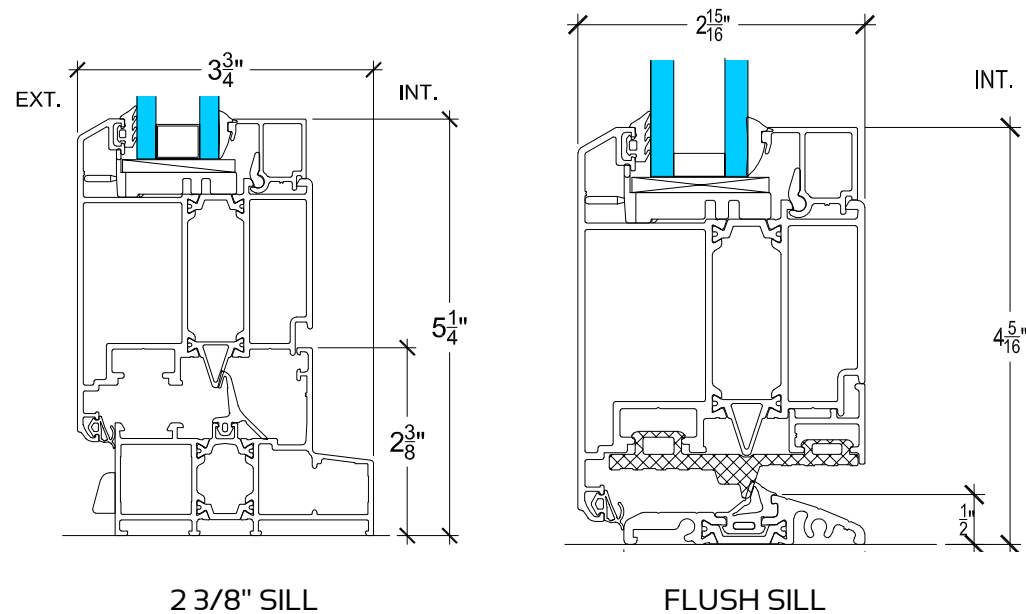
Swing



Thermal Door Strut

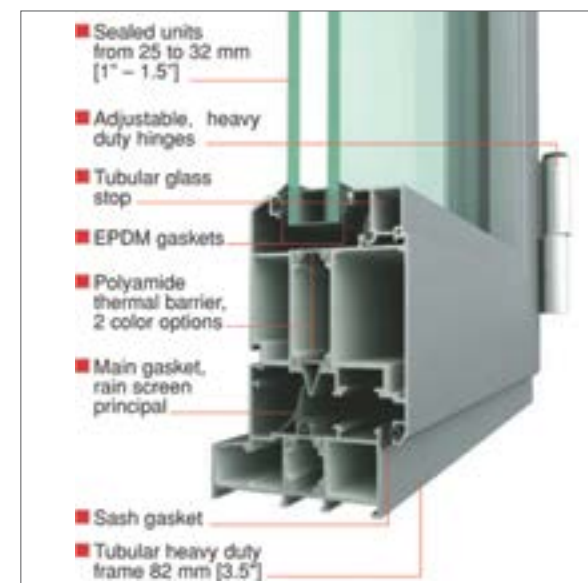


Impact



## 8250E SERIES FEATURES AND OPTIONS

- Available as a standard 2 3/8" hi-sill (left image below) or flush sill (right image below)
- Tested as a C90 (fixed sidelite), AW 75 (single swing door) or AW70 (double swing door)
- Thermal break technology using an iso strut system tubular design aluminum profiles in combination with 2 continuous glass reinforced polyamide thermostruts reduce thermal conductivity value & improve acoustical performance
- Amesbury integrated 800 Series door handles with interior thumbturn & exterior keyed cylinder - optional (Series 100, 400, 700, 800 handles available in all Amesbury standard brass finish options)
- Amesbury ADA compliant Door Handle with Interior activated extended lock turn - optional (available in all Amesbury standard brass finish options)
- Available as a single swing door (inswing or outswing) or double swing French door (inswing or outswing) with optional overhead fixed transoms and/or fixed sidelites
- European influenced door and hardware design
- GU Multi Point (5-point) - steel coated with FerGUard Bi-Chromate finish dead bolt and 4 roller locking system - standard
- Amesbury multi point (5-point) - stainless steel dead bolt and 4 roller locking system - optional
- Interior stainless steel turn knob thumb turn with integrated exterior keyed cylinder - standard
- Interior brushed nickel - wing design thumbturn with integrated exterior keyed cylinder - optional
- Handle sets with integrated rosette back plate available in satin clear, white & black - standard
- All dry glazed with EPDM or PVC gasket and glazing tape with glazing stop, 1" or 1 1/16" insulated glass
- Stock finishes - dark bronze or satin clear anodized - class 1 or Duracron paint - white - standard
- Duranar or Valspar finish or other anodized finish - optional
- **Can be made to meet impact rated hurricane codes - optional**



# 8250E SERIES

## 8250E SERIES HARDWARE AND OPTIONS



Interior Stainless Steel Knob Thumb Turn & Standard Door Handle  
(Handle Available in White, Black and Satin) – Standard



Exterior Keyed Stainless Steel Cylinder & Standard Door Handle  
(Handle Available in White, Black and Satin) – Standard



Angular Handle (Available in White, Black, Satin) – Optional



Interior Brushed Nickel Wing Style Thumb Turn – Optional



(1) Amesbury Integrated 800 Series Door Handles with interior Thumb Turn and Exterior Keyed Cylinder



(2) Amesbury ADA Compliant Door Handle with Interior Activated Extended Lock Turn – Optional



(3) Multi Point (5-Point) – Dead Bolt Lock and 4 Roller Locking System



Locking Roller Mechanism for Multi Point Locking Systems – Standard



3-Wing Hinge  
(Available in White, Black, Satin) – Standard



ADA Flush Sill – Optional



The Plaza Luxury Condominiums, Fort Lee, NJ





The Plaza Luxury Condominiums, Fort Lee, NJ

# TC-470 SERIES

## TC-470 SERIES THERMAL/IMPACT 2 1/4" X 4 1/2" WINDOW WALL SYSTEM

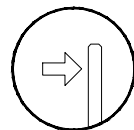


Penthouse at The Plaza Luxury Condominiums, Fort Lee, NJ

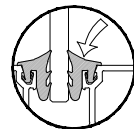
MULTIPLE CONFIGURATIONS AVAILABLE

VISIT OUR WEBSITE AT: [WWW.ARCADIAINC.COM](http://WWW.ARCADIAINC.COM) FOR THE FOLLOWING:

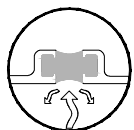
Product Specifications (PDF) • Elevations & Plan Details (PDF & DWG) • Product Warranty Information (PDF) • Maintenance & Cleaning Guidelines (PDF) • Product Installation Manuals (PDF)



Offset Glazed



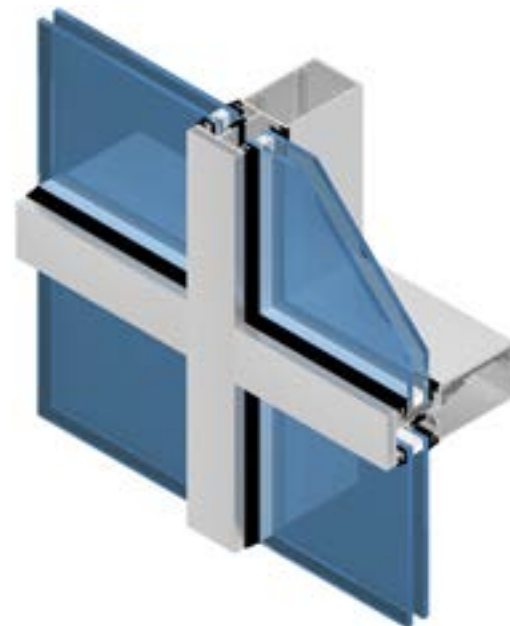
Top Load



Thermal

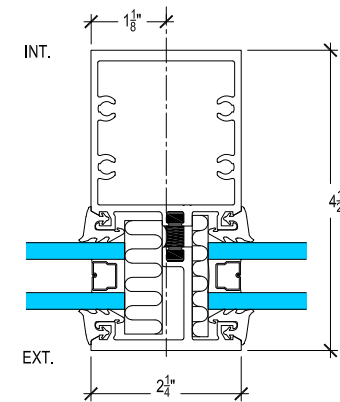


Impact

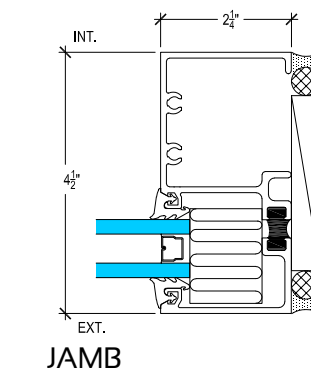


## TC-470 SERIES FEATURES AND OPTIONS

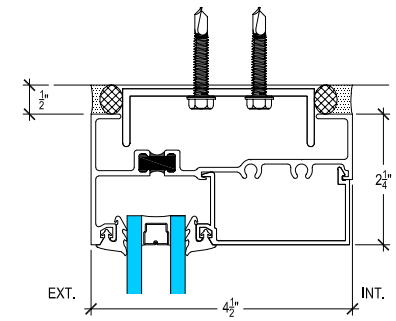
- Can be made to meet impact rated hurricane codes - optional
- Tested performances for hurricane impact resistant - ASTM 1886/1996
- Low air & water infiltration performance
- 2 1/4" x 4 1/2" depth frame - versatile window wall system
- 4 1/2" square 2-pc snap in tube available for mulling sections together in line and at 90 degree angles
- Set up for interior glazing - can accommodate 1", 1 1/16" or 1 1/8" insulated glass
- Unlimited configuration options to accommodate any combination of fixed & operable windows
- Male-Female Jamb members to accommodate sections of window wall being mulled together
- Extruded - custom designed sub sills available to accommodate this system
- Ideal for slab to slab installations - high structural & water performance
- Installation videos available on [YouTube](https://www.youtube.com) search under "Arcadia Door"
- Stock finishes - dark bronze or satin clear anodized - class 1 - standard
- Duranar or Valspar finish or other anodized finish - optional
- Can be made to meet impact rated hurricane codes - optional



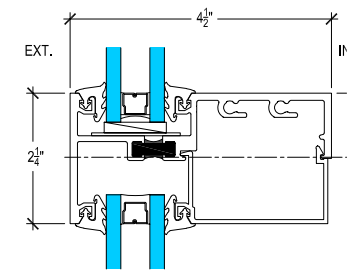
VERTICAL



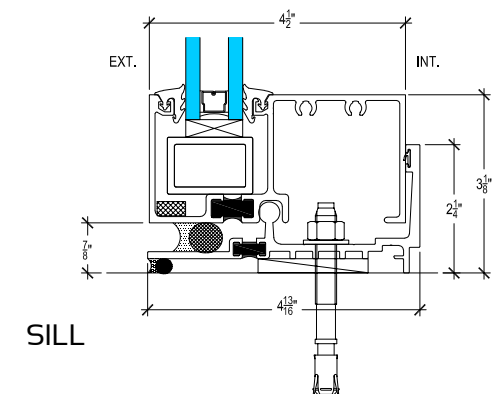
JAMB



HEAD



HORIZONTAL



SILL

FEATURES



Penthouse at the Colony Luxury Condominiums, Fort Lee, NJ – Michael Garenstein

## HARDWARE LOCKS & HANDLES OPTIONS



Standard Wire Pull Handle  
Single or Back to Back Set  
(Satin Anodized) – Standard



Adams Rite Flush Handle  
Single or Back to Back Set  
(Black Painted) – Optional



Adams Rite Flush Handle  
Single or Back to Back Set  
(Grey Silver Painted) – Optional



Brass Standard Thumb Turn



Futura Brass Keyed  
Flush Cylinder - optional



Turn Lever with Escutcheon for  
MS 1847 Locks  
(Satin or Black Painted) – Optional



Futura Flush Stainless Steel  
Thumb Turn – Optional



Standard Wire Pull Handle –  
Single or Back to Back Set  
(Black Anodized) – Standard



Amesbury Hamptons Elite  
Handle – Single or Back to Back Set  
(Grey Silver, White or Black Painted) – Optional



Nylon Strike Plate (Silver, White, Black) - Standard  
Stainless Steel Strike Plate – Optional



## HARDWARE LOCKS & HANDLES OPTIONS



Brass Standard Keyed Cylinder



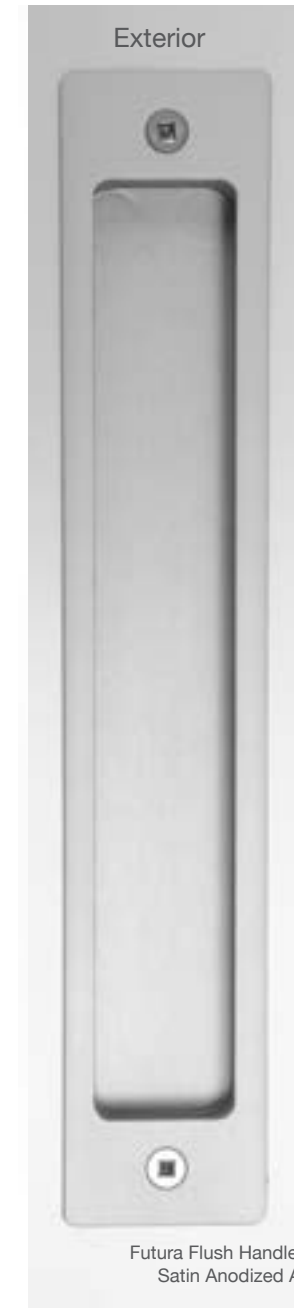
Adams Rite MS 1950 All Stainless  
Steel  
Mortise Lock – Optional



Adams Rite MS 1850 Steel  
Mortise Lock with Stainless  
Steel Hook – Standard



Adams Rite Stainless Steel  
Mortise Lock – MS-1847 –  
Optional



Exterior

Futura Flush Handle - Available in (Black or  
Satin Anodized Aluminum - Optional



Interior

Futura Flush Handle - Available in Marine  
Grade Stainless Steel - Optional



EZ Glide precision bearing Stainless Steel Rollers with 1 1/2", 1 3/16" .3" Diameter  
Wheels  
Note: 3" diameter wheel also available in DELRIN ACETAL by DUPANT - Optional



Architectural Products  
Arcadia Custom  
Authorized Partner

Ecotech Windows & Doors  
Ecotech Windows PRO  
2295 Main Street  
San Diego CA 92154  
Ph 858-800-3800  
[Arcadia@Ecotech.us](mailto:Arcadia@Ecotech.us)



4 Seasons Resort, Orlando, FL - HKS Architects



Shelter Island, NY - Stelle Lomont Rouhani Architects

LEEDS CERTIFIED



HURRICANE IMPACT RESISTANT  
DOORS & WINDOWS



FIND US / LIKE US ON



**arcadia**  
www.arcadiainc.com